

SubContractor™ Series SC-IF/SC-IC (In-Floor/In-Ceiling) Subwoofer

Velodyne Acoustics, the #1 rated subwoofer company for over 20 years, now offers the SubContractor Series - a powerful, easy-to-install line of subwoofers with an outboard, rack-mountable amplifier specially designed for any custom installation need.

The SC-IF/IC (In-Floor/In-Ceiling) is the first floor/ceiling sub to deliver true reference quality performance. The SC-IF/IC sports a powerful 12" driver and expanded sealed cabinet enabling maximum performance to reproduce the most demanding home theater and music with authority, accuracy and low distortion. The SC-IF/IC is easy to install whether it's for new construction or retrofit - 4 adjustable brackets are included that can be attached anywhere on the cabinet surface. The SC-1250, a rack-mountable amplifier that powers the SC Series, features 3000 watts dynamic / 1250 watts RMS power and can easily drive twin SC-IF/IC subs using standard speaker wire.



Features

- Fits FLUSH in standard floor and ceiling joist construction
- 4 included brackets can be placed anywhere on the cabinet making it easy to install for new construction or retrofit
- Connects with conventional speaker wire
- 12" driver and expanded cabinet delivers amazingly deep, powerful bass performance
- The matched SC-1250 amplifier (sold separately) can drive one or, for ultimate performance, two SC-IF/IC subs

Powerful, Linear Drivers

The SC Series employs Velodyne's multi-layer, Kevlar reinforced, resin cones mounted in die-cast aluminum baskets with massive magnet structures. Each driver incorporates Velodyne's unique dual-wound voice coil that assures linear travel and allows for the heat dissipation needed to handle the gigantic power output of the SC-1250 amplifier.

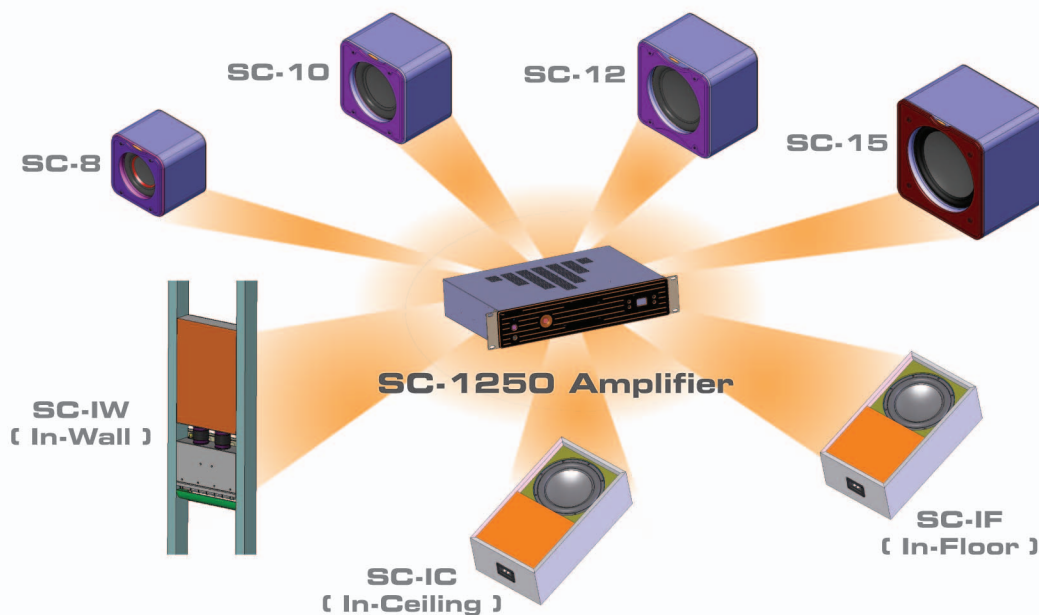
Easy to Install and Configure

The SC-1250 rack-mountable amplifier features 3000 watts dynamic power and 1250 watts of continuous RMS power. The SC-1250 also comes with DSP control, a built-in 7-band automatic room EQ, 12-volt trigger, IR repeater jack, RS-232 control port (Crestron Certified), and a full-featured remote with factory listening presets. Standard speaker wire is used to connect the SC-1250 to the SC-IF/IC. The SC-1250 can power up to TWO SC-IF/IC subs.

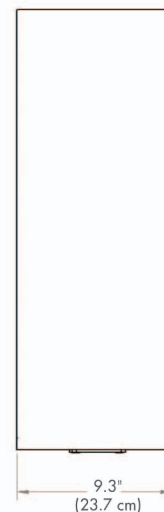
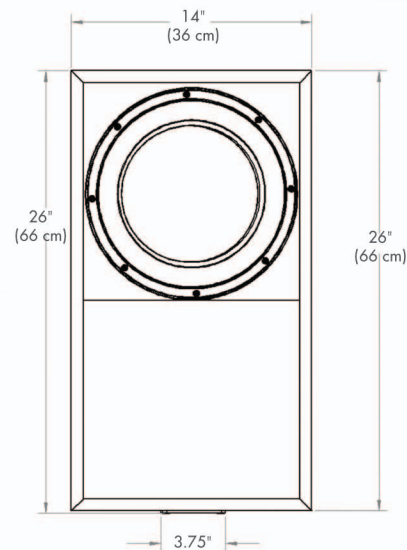


The SubContractor Series Subwoofers — a sub for every situation.

You'll be blown away by the *hidden thunder* of the SubContractor Series subs!



Specifications	SC-IF/IC Subwoofer
Woofer:	12" forward firing (9.7" piston diameter)
Frequency Response: (+/-3 dB)	22-120 Hz
Harmonic Distortion:	<5% (typical)
Magnet Structure:	346 oz. (21.6 lbs)
Voice Coil:	3" Dual Layer inner/outer wind
Video Shielded:	Yes
Dimensions (H/W/D): (inc. feet & grill)	9.3" x 14" x 26" (23.7 x 36 x 66 cm) *Allow 1-2 extra inches in depth for wire hookup.
Cabinet:	Sealed enclosure
Warranty: (parts/labor)	Two years
Shipping Weight: (approx.)	57 lbs. (26 Kg)



Copyright ©2006 Velodyne Acoustics, Inc. Specifications are subject to change without notice.
Other trademarks or registered trademarks are property of their respective owners. August 2006

www.velodyne.com

Velodyne Acoustics, Inc.
345 Digital Drive, Morgan Hill, CA 95037
408.465.2800

Velodyne[®]